



www.CrossCreekTractor.com

Call Us: 1 (800) 462-7335

AFTERMARKET TRACTOR PARTS FOR CASE - IH

**ALL PARTS LISTED ARE AFTERMARKET REPLACEMENT PARTS AND ARE NOT
PRODUCED BY THE ORIGINAL EQUIPMENT MANUFACTURER**



Contents - Case / IH

Cooling.....	283	Wheels & Rims	303
Electrical	286		
Engine, Crankshafts	274		
Engine, Misc	275		
Engine, Overhaul Kits	267		
Front Axle, Spindles.....	291		
Fuel.....	279		
Hydraulic, Control Valve Parts	299		
Hydraulic, Hitch.....	300		
Hydraulic, Hydraulic Pumps.....	298		
Mufflers	278		
PTO	296		
Rear Axle & Brakes.....	297		
Seats.....	302		
Sheet Metal.....	302		
Shop Manuals.....	305		
Steering, Control Valves	288		
Steering, Misc	293		
Steering, P/S Cylinders	290		
Steering, P/S Cylinder Parts	290		
Steering, Sectors	289		
Steering, Tie Rods	292		
Transmission	294		



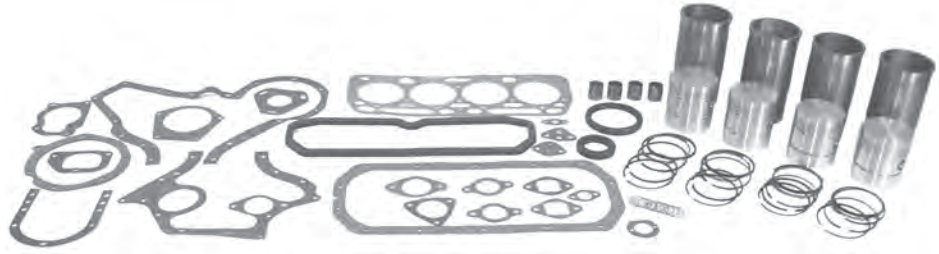
ENGINE, OVERHAUL KITS

Case / IH

IH B-275, B414, 424, 444, 354, 365, 384, 3414, 2424, 2444, 238, 500, TD5
BD144/BD154 Diesel Engine

EOKIHBD154A

Engine Overhaul Kit
Contains Sleeves, Pistons,
Rings, Sleeve Seals,
Piston Pin Bushings,
Complete Gasket Set,
Front and Rear Crankshaft Seals



(Order Bearings Separately)

Order Individual Parts Below

3044486R3
Piston with Pin



3044487R93
Piston Ring Set (1 Per Piston)



3044481R3
Sleeve



704100R1
Sleeve O-Ring

3070546R91
Rod Bearing Set STD



3070546R91.010
Rod Bearing Set .010

3070546R91.020
Rod Bearing Set .020

3070546R91.030
Rod Bearing Set .030

708912R91
Main Bearing Set STD

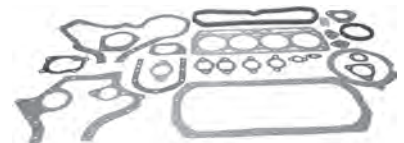


708912R91.010
Main Bearing Set .010

708912R91.020
Main Bearing Set .020

708912R91.030
Main Bearing Set .030

1082164R91
Complete Gasket Set



703883R6
Head Gasket



703840R1
Oil Pan Gasket



703844R91
Front Crankshaft Seal



3072092R91
Replaces 708903R91
Rear Crankshaft Seal



1082175R91
Cam Bearing Set



3043611R1
Connecting Rod Bushing



3064060R91
Oil Pump with Tach Drive





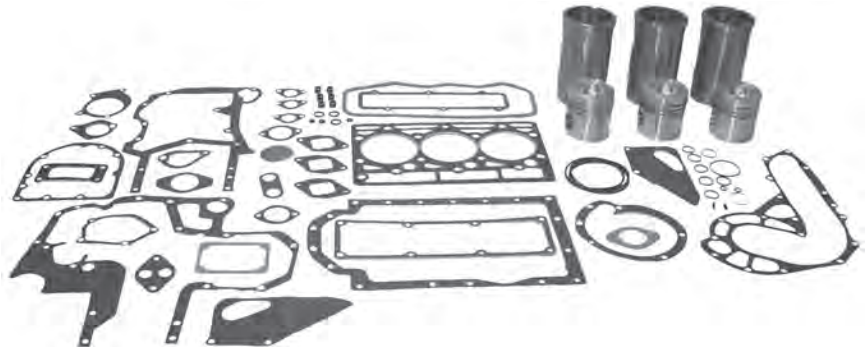
Case / IH

ENGINE, OVERHAUL KITS

**IH 385, 395, 500C
D155 3 Cylinder Diesel Engine**

EOKIHD155A

Engine Overhaul Kit
Contains Sleeves, Pistons,
Rings, Sleeve Seals,
Piston Pin Bushings,
Complete Gasket Set,
Front and Rear
Crankshaft Seals



(Order Bearings Separately)

Order Individual Parts Below

3139586R95
Piston and Sleeve Set



3055351-3
Rod Bearing Set STD



3056834-3
Rod Bearing Set .010

3056879-3
Rod Bearing Set .020

3055130-3
Main Bearing Set STD

3056832-3
Main Bearing Set .010

3056877-3
Main Bearing Set .020

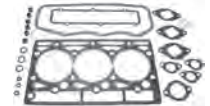


3132018R2
Piston Pin Bushing



3136429R95
Oil Pump

3136798R98
Head Gasket Set



3136802R98
Oil Pan Gasket Set



3228401R91
Front Crankshaft Seal



3138701R91
Rear Crankshaft Seal



3055008R2
Front Cam Bearing
(One required)



1806820C1
Cam Bearing
(Three required)



3055055R2
Intake Valve



3055056R2
Exhaust Valve

3055022R1
Valve Guide



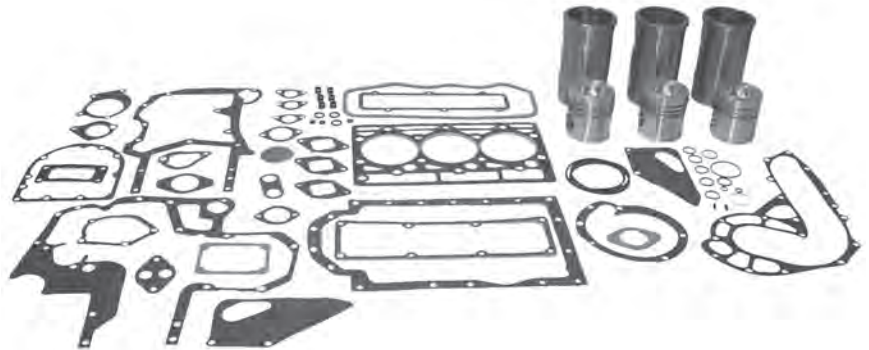
ENGINE, OVERHAUL KITS

Case / IH

IH 454, 464, 484, 485, 495, 3220, 380B, 2400, 2400A, 3400
D179 3 Cylinder Diesel Engine

EOKIHD179A

Engine Overhaul Kit
Contains Sleeves, Pistons,
Rings, Sleeve Seals,
Piston Pin Bushings,
Complete Gasket Set,
Front and Rear
Crankshaft Seals



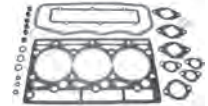
(Order Bearings Separately)

Order Individual Parts Below

3218759R95
Piston and Sleeve Set



3136798R98
Head Gasket Set



3055351-3
Rod Bearing Set STD



3136802R98
Oil Pan Gasket Set



3056834-3
Rod Bearing Set .010

3056879-3
Rod Bearing Set .020

3228401R91
Front Crankshaft Seal

3138701R91
Rear Crankshaft Seal



3055130-3
Main Bearing Set STD

3056832-3
Main Bearing Set .010

3056877-3
Main Bearing Set .020



3055008R2
Cam Bearing, Front
(One required)

1806820C1
Cam Bearing, Rear
(Three required)



3132018R2
Piston Pin Bushing



3055055R2
Intake Valve

3055056R2
Exhaust Valve

3055022R1
Valve Guide





Case / IH

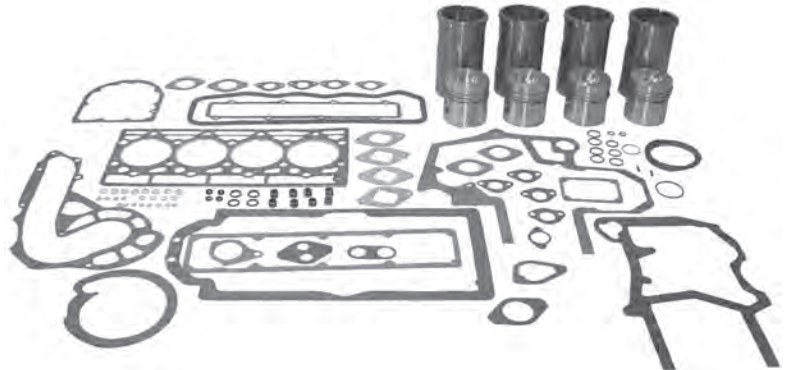
ENGINE, OVERHAUL KITS

**IH 584, 585, 3230, 100C, TD7C
D206 4 Cylinder Diesel Engine**

EOKIHD206A

Engine Overhaul Kit
Contains Sleeves, Pistons,
Rings, Sleeve Seals,
Piston Pin Bushings,
Complete Gasket Set,
Front and Rear
Crankshaft Seals

(Order Bearings Separately)



Order Individual Parts Below

3139586R95

Piston and Sleeve Set



3055351-4

Rod Bearing Set STD

3056834-4

Rod Bearing Set .010



3056879-4

Rod Bearing Set .020

3055130-4

Main Bearing Set STD

3056832-4

Main Bearing Set .010



3056877-4

Main Bearing Set .020

3132018R2

Piston Pin Bushing



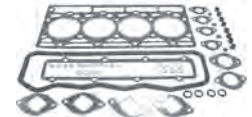
3136430R95

Oil Pump



3136799R99

Head Gasket Set



3228431R91

Oil Pan Gasket Set



3228401R91

Front Crankshaft Seal



3138701R91

Rear Crankshaft Seal



3055008R2

Cam Bearing, Front
(One required)



1806820C1

Cam Bearing, Rear
(Four required)



3055055R2

Intake Valve



3055056R2

Exhaust Valve



3055022R1

Valve Guide



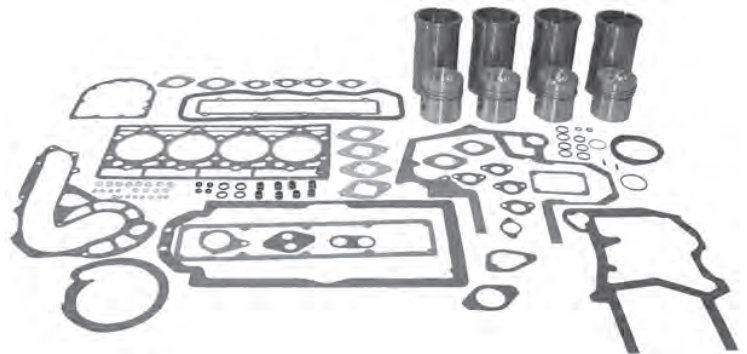
ENGINE, OVERHAUL KITS

Case / IH

IH 574, 674, 684, H84, 685, 695, 4210, 250A, 2500, 2500A, 2500B, 3500, 3600, TD7E, TD8, 125C
D239 4 Cylinder Diesel Engine

EOKIHD239A

Engine Overhaul Kit
Contains Sleeve, Pistons,
Rings, Sleeve Seals,
Piston Pin Bushings,
Complete Gasket Set,
Front and Rear
Crankshaft Seals



(Order Bearings Separately)

Order Individual Parts Below

3218759R95

Piston and Sleeve Set



3055351-4

Rod Bearing Set STD

3056834-4

Rod Bearing Set .010

3056879-4

Rod Bearing Set .020



3055130-4

Main Bearing Set STD

3056832-4

Main Bearing Set .010

3056877-4

Main Bearing Set .020



3132018R2

Piston Pin Bushing

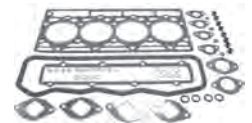


3136430R95

Oil Pump

3136799R99

Head Gasket Set



3228431R91

Oil Pan Gasket Set



3228401R91

Front Crankshaft Seal



3138701R91

Rear Crankshaft Seal

3055008R2

Cam Bearing, Front
(One required)



1806820C1

Cam Bearing, Rear
(Four required)



3055055R2

Intake Valve

3055056R2

Exhaust Valve



3055022R1

Valve Guide



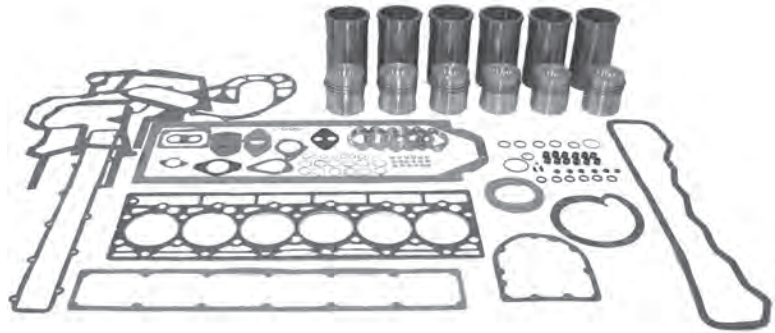
Case / IH

ENGINE, OVERHAUL KITS

**IH 686, 706, 756, 2706, 2756, HYDRO 86
D310 6 Cylinder Diesel Engine**

EOKIHD310A

Engine Overhaul Kit
Contains Sleeves, Pistons,
Rings, Sleeve Seals,
Piston Pin Bushings,
Complete Gasket Set,
Front and Rear
Crankshaft Seals



(Order Bearings Separately)

Order Individual Parts Below

3139586R95
Piston and Sleeve Set



3055351-6
Rod Bearing Set STD



3056834-6
Rod Bearing Set .010

3056879-6
Rod Bearing Set .020

3055130-6
Main Bearing Set STD

3056832-6
Main Bearing Set .010

3056877-6
Main Bearing Set .020



3132018R2
Piston Pin Bushing



3136433R95
Oil Pump
For Tractors with Internal Oil Pump



3136801R99
Complete Gasket Set



3228401R91
Front Crankshaft Seal



3138701R91
Rear Crankshaft Seal



3055008R2
Cam Bearing, Front
(One required)



1806820C1
Cam Bearing, Rear
(Order as required)



3055055R2
Intake Valve

3055056R2
Exhaust Valve



3055022R1
Valve Guide



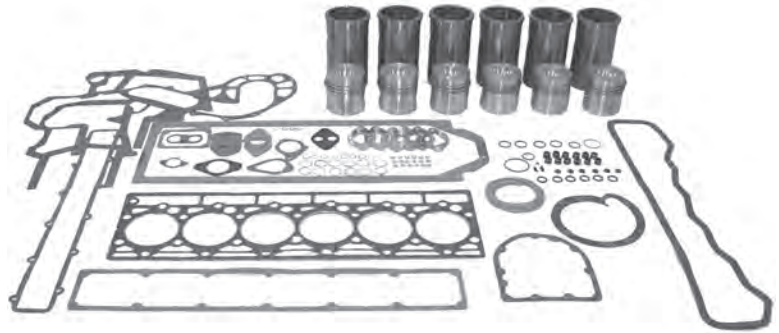
ENGINE, OVERHAUL KITS

Case / IH

IH 786, 826, 886, 2826, 3088, 3288
D358 6 Cylinder Diesel Engine

EOKIHD358A

Engine Overhaul Kit
Contains Sleeves, Pistons,
Rings, Sleeve Seals,
Piston Pin Bushings,
Complete Gasket Set,
Front and Rear
Crankshaft Seals



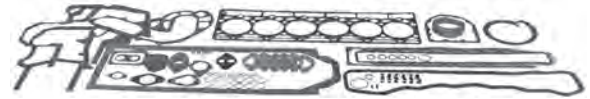
(Order Bearings Separately)

Order Individual Parts Below

3218759R95
Piston and Sleeve Set



3136801R99
Complete Gasket Set



3055351-6
Rod Bearing Set STD



3228401R91
Front Crankshaft Seal



3056834-6
Rod Bearing Set .010

3138701R91
Rear Crankshaft Seal



3056879-6
Rod Bearing Set .020

3055008R2
Cam Bearing, Front
(One required)



3055130-6
Main Bearing Set STD



1806820C1
Cam Bearing, Rear
(Order as required)



3056832-6
Main Bearing Set .010

3056877-6
Main Bearing Set .020

3055055R2
Intake Valve

3055056R2
Exhaust Valve



3132018R2
Piston Pin Bushing



3136433R95
Oil Pump
For Tractors with Internal Oil Pump



3055022R1
Valve Guide

Case / IH

ENGINE, CRANKSHAFTS

CRANKSHAFT04

Replaces 751303R1, 3110995R1
Crankshaft, IH BD144 BD154



Fits IH B275, B414, 424, 434, 444, 354, 364, 384, 3414, 2424, 2444, TD5, Early 500

CRANKSHAFT25

Replaces A144011
Crankshaft, Case 207 Non-Turbo



Fits 580, 580B, 580C, 580D

CRANKSHAFT05

Replaces 3144626R1
Crankshaft, IH D239, DT239, D246
With Center Balancer Gear



Fits IH 574, 674, 684, 685, 695, 784, 250A, 2500, 3500, 4500, TD7, TD8, 125 Crawler

CRANKSHAFT27

Replaces A39146, A151015, A39151
Crankshaft, Case 188
With Splined Pilot Hole



Fits 430, 530, 470, 570, 580, 580B, 480, 480B, 480C, 310, 350, 450

CRANKSHAFT06

Replaces 3132968R93
Crankshaft, IH D206
With Center Balancer Gear



Fits IH 584, 585, 595, TD7C

CRANKSHAFT26

Replaces G11889, A39150, A39151
Crankshaft, Case 188
With Smooth Pilot Hole



Fits 430, 530, 470, 570, 580, 580B, 480, 480B, 480C, 310, 350, 450

CRANKSHAFT13

Replaces 3228376R91
Crankshaft, IH D268
With Center Balancer Gear



Fits 884, 885, 895, 510 Wheel Loader

CRANKSHAFT34

Replaces G11700, G11164, G10071, G11701
Crankshaft, Case G148



Fits 300, 300B 320, 400B, 310



ENGINE, CRANKSHAFT & MISC

Case / IH

CRANKSHAFT44

Replaces 966772, A22578, A58889, A58787, A166001, A42802
Crankshaft, Case 251, 267, 301, 336
Small Journal, Rod Journals 2.750" Main Journals 3.00"



Fits 730, 830, 770, 870, 680B, 680C, 680D, 680E, 680G, 680H, 850, 850B, W7, W14

A153521

Replaces A39013, A36853
Camshaft 188, 207



G47077

Lifter 188, 207



Fits 430, 530, 470, 570, 580CK, 580B, 580C, 580D

CRANKSHAFT50

Replaces A65109
Crankshaft, Case 336
Large Journal, Rod Journals 2.999" Main Journals 3.499"



Fits 780, 880, 880B

16040DD

Lifter
D361, DT361, D407, DT407



Fits 806, 1026, 1206, 856, 1256, 1456

CRANKSHAFT57

Replaces 1329190C1, 3055746R92, 305950R1
Crankshaft, Case-IH D155
With 4.374" Stroke, Weight 52 lbs.
Has Short Counterweights. Will Not Replace Crankshafts With Large Counterweights



Fits 385, 395

3055028R1

Crankshaft Gear
33 Teeth
For D155, D179, D206, D239, D246, D268 Engines



Fits 454, 574, 674, 484, 584, 684, 784, 884, 385, 485, 585, 685, 785, 885, 495, 595, 695, 895, 2400, 2500, 3400, 3500, 3600, 250A, 260A, 270A, TD7, TD8, TD9

3136237R1

Crankshaft Balancer Gear
80 Teeth
For D206, D239, D246 Engines



Fits 574, 674, 584, 684, 784, 884, 485, 585, 685, 785, 595, 695, 2400, 2500, 3400, 3500, 3600, 250A, 260A, TD7, TD8, TD9

CRANKSHAFT56

Replaces 1329193C1, 3055036R21, 3055782R91, 3055870R11, 3059510R1
Crankshaft, Case-IH D179
5.059" Stroke, Weight 55 lbs.
Has Short Counterweights. Will Not Replace Crankshafts With Large Counterweights.



Fits 454, 484, 485, 495, 3220

3132874R93

Balancer
For D206, D239, D246 Engines



Fits 574, 674, 684, 685, 695, 584, 585, 595, 250A, 2500, 3500, 4500, TD7, TD8

Case / IH

ENGINE, MISC

3043824R1

Replaces 703872R98
Cylinder Head with Valves
For BD144, BD154 Engine

Fits IH B275, B414,
424, 434, 444, 354,
364, 384, 3414, 2424,
2444, TD5, Early 500



704436R1

Flywheel Ring Gear



Fits B275, B414, 424, 434, 444,
354, 364, 3414, 2424, 2444,
276, 2300, 2350



1967032C1

Replaces 3055030R24
Connecting Rod
For D-179, D-239,
D-246 Engines

Fits 454, 464, 574, 674, 484, 684, 784, 884, 485, 585, 685,
785, 885, 495, 595, 695, 895, 2400, 2500, 3400, 3500,
3600, 250A, 260A



60883H

Flywheel Ring Gear



Fits 385, 454, 474, 484, 485, 574, 584, 585, 624, 674, 684,
685, 784, 785, 385, 395, 485, 495, 585, 595, 685, 695,
3220, 3230, 4210, 4230, 4240, Hydro 84, 248, 258, 268,
278, 2400A, 2500A, 275, 375, 5000, 5500, 4000, 5000,
5500

3218637R1

Flywheel Ring Gear



Fits 884, 885, 895, 4230, 4240, 782 Cotton Picker

3061215R1

Replaces 3061214R91
Connecting Rod

Fits IH B275, B414, 424, 434, 444, 354, 364, 384, 3414,
2424, 2444, TD5, Early 500



3064086R91

Replaces 3063934R3, 709450R1
Camshaft

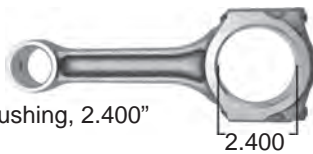


New style camshaft with 1.312" keyed end for cam gear.
If replacing camshaft with smaller keyed end, also order
3064085R91 Cam Gear Below

A51913

Connecting Rod
For Non-Turbocharged
Engines. 1.250" Piston Pin Bushing, 2.400"
Rod Bearing Journal.
(For Crankshafts With 2.248-2.249"
Standard Rod Journals)

Fits 450, 450B, 455B, 580C, 580D, 580SD,
584C, 585C, 586C, D5H, W11



3064085R1

Camshaft Gear



704782R1

Valve Lifter



BD154VALVESET

Valve Kit
(Contains Intake and
Exhaust Valves, Springs,
Cups, and Keepers)

Fits IH B275, B414, 424, 434,
444, 354, 364, 384, 3414, 2424,
2444, TD5, Early 500



43249D

Camshaft Retaining Plate



703865R1

Crankshaft Gear



Fits IH B275, B414, 424, 434, 444, 354,
364, 384, 3414, 2424, 2444, TD5, Early 500

ENGINE, MISC

Case / IH

375712R1

Replaces 6779DB
Camshaft Gear
For C113, C123,
C135, C146, C153
Gasoline Engines



Fits A, B, C, Super A, B, C, 100, 130, 230, 140, 240, 340,
404, 504, 424

3064063R11

Oil Pan, Deep Style
BD144, BD154



Fits IH B275, B414, 424, 434, 444, 354, 364, 384, 3414,
2424, 2444, TD5, Early 500

3064060R91

Oil Pump with Tach Drive
BD144, BD154



Fits IH B275, B414, 424, 434, 444, 354, 364, 384, 3414,
2424, 2444, TD5, Early 500

359875R1

Oil Pan Drain Plug



3405H

Oil Pan Drain Plug Gasket



Fits IH B275, B414, 424, 434, 444, 354, 364, 384, 3414,
2424, 2444, TD5, Early 500

3042420R92

Oil Filter Base
With Canister
BD144, BD154



Fits IH B275, B414, 424, 434, 444, 354, 364, 384, 3414,
2424, 2444, TD5, Early 500

3045354R11

Replaces 3042719R11
Exhaust Manifold
BD144, BD154



704165R2

Replaces 704165R1
Exhaust Manifold Gasket
BD144, BD154



Fits IH B275, B414, 424, 434, 444, 354, 364, 384, 3414,
2424, 2444, TD5, Early 500

FILTERKIT01

Spin On Oil Filter Adapter Kit



Fits B275, B414, 424, 444, 354, 364, 384, 3414, 2424,
2444



Case / IH

ENGINE, MISC & MUFFLERS

3043830R1

Oil Pump Gear
For BC144 Gasoline Engine



Fits B414, 354 Gas

A182084

Exhaust Manifold



Fits 430, 530, 470, 570, 480, 480B, 480C, 480D, 480LL, 580, 580B, 580C, 580D, 584C, 585C, 586C, 584D, 585D, 586D, 350, 350B, 450, 450B, 455B, DH5, W11

3109792R92

Muffler



Fits B275, B414, 424, 444, 354, 364, 384

529372R1

Muffler



Fits 454, 464, 574, 674

83027C1

Muffler



Fits 484, 584, 684, 784, 884, 385, 485, 585, 685, 785XL, 885

251175R21

Manifold



Fits A, B, C, Super A, Super C, 100, 120, 200, 230, 240
All with C113 & C123 Gas Engines



FUEL

Case / IH

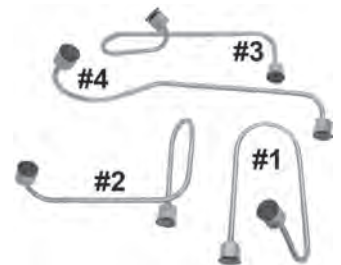
3040870R94

CAV Injector



INJLINESET01

Injector Line Set
All 4 Injector Lines
For CAV Inline
Injection Pump



708314R1

Precombustion Chamber Holder



Fits B275, B414

710382R3

Pre Combustion Chamber Upper Gasket
Fits Between Pre Combustion Chamber
and Pre Combustion Chamber Holder



708307R21

Injector Line #1



3045523R1

Precombustion Chamber



708308R21

Injector Line #2



710383R1

Pre Combustion Chamber Upper Gasket
Fits Between Pre Combustion Chamber
and Pre Combustion Chamber Holder



708309R21

Injector Line #3



Fits IH B275, B414, 424, 434, 444, 354, 364, 384, 3414,
2424, 2444, TD5, Early 500

708310R21

Injector Line #4



Fits Rotary CAV Injection System
Fits B414, 424, 444, 354, 364, 384, 3414, 2424, 2444

708294R93

Fuel Pump
For CAV Injection System



Fits B275, B414, 424, 444, 354, 364, 384, 3414, 2424,
2444

1202938C92

Replaces 1202938C91,
1202938C93
Fuel Lift Pump
For Tractors With Cab



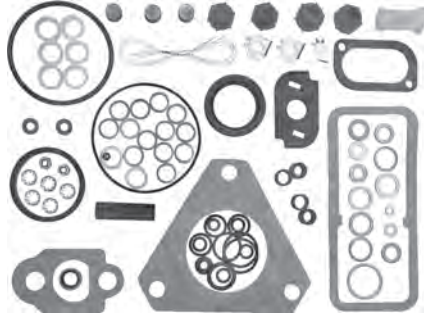
Fits 585, 685, 885, 595, 695, 895, 995, 3220, 3230, 4210,
4230, 4240

Case / IH

FUEL

7135-110

Injection Pump Repair Kit
For CAV DPA Style Pumps



7123-388

Transfer Pump Blade Kit
For CAV DPA Style Pumps



380426S

Sealing Washer
For Top Cover



Fits Most LUCAS/CAV Injection Pumps

568-010

O-Ring
For Top Cover Lever Shafts



Fits Most LUCAS/CAV Injection Pumps

5393-252U

Seal
For CAV Injection Pump
Drive Hub



Fits Most LUCAS/CAV Injection Pumps

61782C91

Sediment Bowl



Fits Cub, Cub Lo-Boy, A, B, Super A, AV, A1, AV1, C, Super C, 100, 130, 140, 340, 404, 454, 460, 464, 504, 574, 606, 656, 674, 2400A, 2500A, 2404, 2504, 2606, 2656

370832R91

Fuel Sediment Bowl



Fits H, HV, M, OS4, O4, Super M, Super MTA, W4, 460, 560, 600, 650, 656, 660, 706, 756, 766, 806, 826, 856, 2656, 2706, 2756, 2826, 2856

3144478R1

Replaces 3144478R14
Fuel Bowl
3/8" Mounting Hole













Fits 454, 474, 574, 674, 484, 584, 684, 784, 385, 485, 585, 685, 785, 2400, 2500, 248, 258, 275, 278, 375

3132197R1

Fuel Bowl
3/4" Mounting Hole



Fits 454, 474, 574, 674, 484, 584, 684, 784, 884, 385, 485, 585, 685, 785, 885, 2400, 2500, 248, 258, 275, 278, 375

FUEL		Case / IH
<p>BK18 Carburetor Kit For 251234R94 and 364579R91 Carburetors</p>  <p>Fits Cub, Cub Lo-Boy</p>	<p>K2112 Carburetor Kit For 12115, 12122, 12225, 12285 and 13781 Carburetors</p>  <p>Fits 130, 230, 240, 330, 340, Cub</p>	
<p>BK9V Carburetor Kit For 9752, 10514A, 52499D, 352376RR2 Carburetors</p>  <p>Fits A, AV, B, Super A</p>	<p>BK318 Carburetor Kit</p>  <p>Fits 454, 464, 574, 674, 2400A, 2400B, 2500A, 2500B</p>	
<p>BK200V Carburetor Kit For Carter Carburetors</p>  <p>Fits C, Super A, Super C</p>	<p>251293R1 Replaces 251234R94 Float</p>  <p>Fits Cub, Cub Lo-Boy</p>	
<p>C509BV Carburetor Kit For Zenith 11115 and IH 355485R91 Carburetors</p>  <p>Fits Super A, Super C</p>	<p>69919D Float For Small Marvel Schebler Carburetors</p>  <p>Fits 200, 230, 240, 330, 340</p>	
<p>BK311 Carburetor Kit For Marvel Schebler TSX744 and TSX748 Carburetors</p>  <p>Fits 200, 230, 240, 330, 340</p>	<p>381962R1 Float For Large Marvel Schebler Carburetors</p>  <p>Fits 454, 464, 574, 674, 2400A, 2400B, 2500A, 2500B</p>	

Case / IH

FUEL

251234R94

Carburetor



Fits Cub, Cub Lo-Boy

352376R92

Replaces 354184R93,
355485R91, 373957R91,
52499DB, 69401D, TSX156,
TSX157, TSX319

Carburetor



Fits Case-IH, Farmall A, AV, B, BN, C, Super A, Super C

13794

Replaces 63349C91,
405004R91, 13781

Carburetor

Fits Cub, Cub LoBoy, Cub Lo-Boy
154 and 184



14996

Replaces TSX857,
TSX925, TSX925SL,
TSX927, TSX933, TSX934,
TSX934SL, TSX939,
TSX940, TSX940SL,
TSX942, TSX943, TSX946,
TSX955, TSX959, TSX959SL, TSX961, TSX961SL,
TSX974SL, TSX960, TSX964SL, TSX965SL,
TSX798, TSX799, TSX854

Carburetor



Fits IH and Farmall 504, 454, 464, 574, 674, 656, 544,
666, 686, 2400A, 2400B, 2500A, 2500B, 3400A, 3500A
Case 540, 541, 600, 640, 641

14007

Replaces TSX175
Carburetor

Fits A, B, C, Super A, Super C



14997

Replaces TSX974, TSX975,
TSX975SL, TSX980SL,
TSX782, TSX785, TSX863

Carburetor



Fits IH and Farmall 574, 674, 666, 686, 2500, 3500A;
Case 700, 740, 840

12566

Replaces TSX165, TSX157,
TSX171, TSX198, TSX319,
TSX333, TSX347, TSX348,
TSX730, TSX744, TSX748,
TSX827, TSX926, TSX896,
TSX896SL, TSX930,
TSX946, TSX949, TSX42,
TSX43, TSX74, TSX114, TSX212, TSX253, TSX474,
TSX513, TSX668, TSX695, TSX409, TSX597,
TSX635, TSX663, TSX681, TSX710, TSX762,
TSX804, TSX936, TSX936SL, TSX937, TSX937SL,
TSX957SL

Carburetor

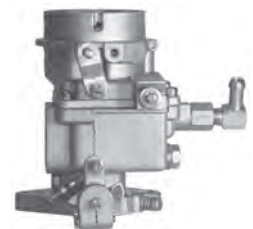
Fits IH and Farmall A, B, C, Super A, Super C, 100, 130,
140, 200, 230, 240, 330, 340, 404, 424, 444, T340 Crawler,
TD5 Crawler, 500 Crawler; CASE VA, VAB, VAC, 200B,
210, 300, 300B, 310, 320, 440, 480, 500, 600



3045515R92

Carburetor

Fits B275, B414, 354



AIR CLEANER & COOLING

Case / IH

73186

Pre-Cleaner Bowl
7 1/4" Diameter

Fits All Models



A42467

Pre-Cleaner Bowl
10 1/2" Diameter

Fits All Models

PC7-2.25

Pre-Cleaner Assembly
7" Bowl, 2.25" Mount

PC7-2.50

Pre-Cleaner Assembly
7" Bowl, 2.50" Mount



PC10-3

Pre-Cleaner Assembly
10" Bowl, 3" Mount

PC10-3.5

Pre-Cleaner Assembly
10" Bowl, 3.5" Mount

PC10-4

Pre-Cleaner Assembly
10" Bowl, 4" Mount

PC10-4.5

Pre-Cleaner Assembly
10" Bowl, 4.5" Mount



A146584

Water Pump



Fits 530, 570, 630, 1835, 1845, 1845B, 1845S, 3330B, 350B, 450B, 455B, 586D, 584D, 585D all dsl, 450 with 207 engine, 580D with 207 engine, Super D

703820R94

Water Pump



Fits B275, B414, 424, 444, 354,364, 384, 3414, 2424, 2444

3132676R93

Water Pump



Fits 686, 706, 756, 70, 86, with D310 Engine, 786 with D358 Engine, 826, 3088, 3288, 886 all with D358 Engine

3136053R92

Water Pump



Fits 385, 395, 484, 485, 495, 574, 584, 585, 595, 674, 684, 685, 695, 784, H84, 3500A, 380B, all with D/DT239 4 Cylinder, D179 3 Cylinder Diesel Engines

1273085C91

Replaces 1873734, 5650-040-9302-0, MM409302

Water Pump



Fits IH 1120, 1130, 234, 235, 244, 245, 254, 255



Case / IH

COOLING

351878R93

Radiator
Core Dimensions: 13 3/4" x 11 3/4"



Fits Cub, Cub Lo-Boy

RADIATOR01

Replaces 3041403R91,
3041405R91, 3044008R91
Radiator



Fits B-275, B-414 (Will also Fit 424, 444, 354, 364, 384 Diesel Tractors with Modification)

84524C93

Replaces 3121412R91,
3121413R91, 3121414R92
Radiator
Core Dimensions: 18.5" x 19"
Neck Height: 5 1/16"



Fits 380B, 484, 485, 584, 684, 784, Hydro 84, (585, 685, 885, without Air Conditioning)

71611C1

Radiator
Core Dimensions: 24" x 22 1/8"
Filler Neck 4 1/2"



Fits 766, 886, 966, 986, 1066, 1086, 1466, 1486, 1566, 1586, Hydro 100, Hydro 186

COOLING

Case / IH

84673C6

Radiator



Fits 585, 595, 685, 695, 885, 895 With Air Conditioning

D89103

Radiator



Fits 580C

A39344

Radiator
Without Cooler



Fits 430CK, 480B, 480CK, 530CK Gas / DSL STD, 580B SN <8685801 STD, With Mechanical Shuttle / Hydraulics

A172038

Radiator
Core Dimensions: 19.5" x 20"



Fits 580K, 580K-1, 580K-11, 580K-111, 580SK

A39345

Radiator



Fits 530CK Gas With Torque Converter DSL With Case O Matic, 580B Gas & Diesel With Power Shuttle, 580CK S/N <8685801 Power Shuttle, 580B DSL

A171080

Radiator



Fits 480E, 480F, 480ELL, 480FLL, 584E, 585E, 586E

Case / IH

ELECTRICAL

1109611
Replaces 1109603,
1109613
Starter



Fits Cub, Cub Lo-Boy

593292C1
Replaces 1925781
Starter Switch



Fits Cub, Cub Lo-Boy, A, B, C, H, M, Super A, Super AV,
Super C, Super H, Super HV, Super M, Super MV, 100,
130, 140, 200, 230, 240

104221A2R
Replaces 355794R91
Starter



Fits A, B, C, Super A, Super C, 200, 230

107296C91
Replaces 107304C91,
353890R91, 354900R91,
357935R91
Distributor



Fits Cub, Cub Lo-Boy, A, B, C, H, M, Super A, Super AV,
Super C, Super H, Super HV, Super M, Super MV, 100,
130, 140, 200, 230, 240, 330, 340, 404, 424, 444, 504

104219A2R
Replaces 63608D
Starter



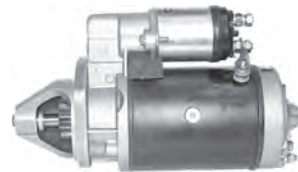
Fits H, M

396546R93
Coil



Fits 6 volt systems with or without external resistance,
12 volt systems with external resistance.

704447R95
Starter



Fits B275, B414, 424, 444, 354, 364, 384, 2300, 3414,
2424, 3444

706685R92
Resistor Indicator Assy



710348R2
Glow Plug



189330A5
Replaces 3125850R91,
537140R95, 403300R91,
121449A1, 189300A3
Starter



Fits 484, 584, 684, 784, 884, 385, 485, 585, 685, 785,
885, 395, 495, 595, 695, 895, 995, 3220, 3230, 4210,
4230

Fits IH B275, B414, 424, 434,
444, 354, 364, 384, 3414, 2424, 2444, TD5, Early 500

ELECTRICAL

Case / IH

TUKIH01

Tune Up Kit

Contains Ignition Kit, Spark Plugs, Plug Wires, and Distributor Cap For Individual Parts Order Below



ATK5BIR

Ignition Kit With Rotor



AL386

Spark Plug



SWS259

Spark Plug Wire Set



351693R92

Distributor Cap



Fits 4 Cylinder Gas Engines With Battery Ignition 1951 through 1962 With IH Distributor. (Not For Prestolite)

A0NN10670A

Replaces FAD10850A
360053R91, 378424R91,
393334R91, 208302
Amp Gauge, Chrome



Fits Universal

9N9273A

Replaces 506902M1, 9A550,
FAD9273A
Oil Pressure Gauge, Chrome



Fits Universal

TUKIH02

Tune Up Kit

Contains Ignition Kit, Spark Plugs, Plug Wires, and Distributor Cap For Individual Parts Order Below



ATK9BIR

Ignition Kit With Rotor



AL386

Spark Plug



SWS259

Spark Plug Wire Set



351693R92

Distributor Cap



Fits 4 Cylinder Gas Engines With Battery Ignition 1963 And Later With IH Distributor. (Not For Prestolite)

UTG25

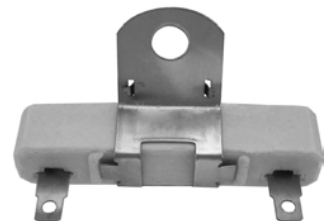
Temperature Gauge
Adapter is 1/2" - 14 NPT
Probe is 5/8" - 18 thread
6' Cable



Fits Universal

16-RU12

Resistor



Fits Universal



Case / IH

STEERING, CONTROL VALVES

67698C92

Steering Motor
Without Relief Valve



Fits 84 and 85 Series

1263446C91

Replaces 70113C93
Steering Motor
With Roll Pin Shaft



Fits 786, 886, 986, 1086, 1486, 5088, 5288,
5488, Hydro 3488

88107C92

Steering Motor
With Relief Valve



Fits 84 and 85 Series

A63549

Steering Motor
With Roll Pin Shaft



70110C94

Steering Motor
With Splined/Threaded Shaft



Fits Case 1175, 1370

Fits 454, 464, 574, 674, 2400, 2500, 240A,
250A, 260A, 3400A, 3500A

D63250

Replaces D89898
Steering Motor
With Roll Pin Shaft



Fits Case 480C, 580C, 480D, 480LL, 580F

70114C94

Replaces 535233R92
Steering Motor
With Tilt Steering
With Splined/Threaded Shaft



Fits 766, 966, 1066, 1466, 1468, 1566,
1568, Hydro 100

HG500007

Replaces 123465C1, 224712C1, 517416, A47038
Steering Control Valve Upper Seal Kit
For Ross, TRW, and Hydraguide Units



Fits 454, 464, 574, 674, 666, 686,
766, 866, 1066, 1466, 1468, 1566,
1568, 786, 886, 986, 1086, 1486,
1586, Hydro 100, 186, 70, 86, 2400,
2500, 3400, 3600

70111C94

Replaces 534994R91
Steering Motor
Without Tilt Steering
With Splined/Threaded Shaft



Fits 766, 966, 1066, 1466, 1468, 1566,
1568, Hydro 100



STEERING, STEERING SECTORS

Case / IH

CS11100B

Steering Motor
With Splined/Threaded Shaft
This is an Economical Option
to Replace Ross/Hydroglide
Units In Most Applications
(With Line Modification)



Fits 454, 464, 574, 674, 2400, 2500, 240A,
250A, 260A, 3400A, 3500A, 766, 966, 1066, 1466, 1468,
1566, 1568, Hydro 100

99327C1

Steering Sector



Fits IH 234 Compact Tractor

CS11125B

Steering Motor
Roll Pin Type Shaft
This is an Economical Option
to Replace Ross/Hydroglide
Units In Most Applications
(With Line Modification)



Fits 786, 886, 986, 1086, 1486, 5088, 5288, 5488, Hydro
3488, Case 1175, 1370, 480C, 580C, 480D, 480LL, 580F

D84179

Replaces D89898
Power Steering Pump



Fits 480C, 480D, 480LL, 580C, 580D, 580 Super D, 584C,
584D, 585C, 585D, 586C, 586D

A137187

Replaces ~~A35718~~, ~~A36599~~
Power Steering Pump



Fits 430CK, 480CK, 480B, 530CK, 580, 580B


Case / IH

STEERING, P/S CYLINDERS & PARTS

188842A1

Replaces 549667R93
Power Steering Cylinder



400587R1 

Power Steering Cylinder Barrel



549668R2

Power Steering Rod and Piston



400591R1

Power Steering Cylinder End Cap



549670R2 

Replaces 3125306R1
Power Steering Clevis



55355C91

Steering Cylinder Seal Kit



Fits 454, 464, 474, 574, 674, 484, 584, 684, 784, 884, 385, 485, 585, 685, 785XL, 885, 395, 495, 595, 695, 895, 3220, 3230, 4210, 4230, 4240

D148100

Power Steering Cylinder Seal Kit



Fits 480C, After S/N 8980934>, 480D, 480D LL, 480E, 480E LL, (580C, After S/N 8983288>), 580D, 580SD, (580F, After S/N 3.736.937>)



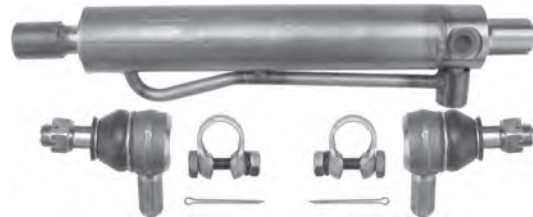
234447A1

Replaces 234466A1, A137503, A37509, D128454, D147753, D84800

Power Steering Cylinder
For 2WD tractors only



Fits 480B, 480C, 480D, 480E, 480SE, 480F 480LL, 580B, 580C, 580D, 580E, 580F, 580SE (2WD Machines Only)



234449A1

Replaces D147756, D92099

Power Steering Cylinder
For 4 Wheel Drive Machines Only



Fits 480B, 480C, 480D, 480E, 580B, 580C, 580D, 580E (4 Wheel Drive Machines Only)

A40962

Replaces D120800, E42039

Tie Rod End



Fits 480B, 480C, 480CK, 480D, 480D, 480F, 480LL, 580CK, 580, 580B, 580C, 580D, 580F, 580G, 580SD, 580SE, 584C, 584D, 585C, 585D, 585E, 586C, 586D, 586E, 760 Trencher, 860 Trencher

533279R94

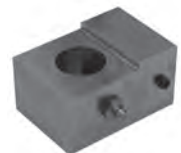
Power Steering Cylinder



Fits 766, 966, 1066, 1466, 1468, 1566, 1568, Hydro 100

533287R2

Power Steering Cylinder End



Fits 966, 1066, 1466, 1468, 1566, 1568

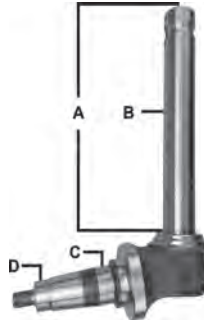
FRONT AXLE, SPINDLES

Case / IH

3121261R91

Spindle, RH/LH

- A - 11.250"
- B - 1.667"
- C - 1.780"
- D - 1.375"

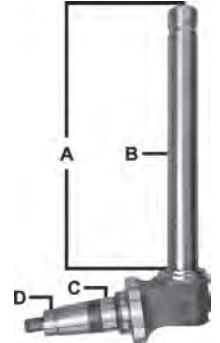


Fits 585, 595, 684, 685, 685XL, 784, 785, 884, 885, 885XL, 895, 895XL, 995, 4210, 4230, 4240, CX70, CX80, CX90, CX100, MX90C, MX90C, MX100C, 278, McCormick 2002 and Newer C70, C80, C90, C100, CX70, CX75, CX80, CX85, CX90, CX100, CX105, MC80, MC90, MC95, MC100, MC105, MC115, MC120, MC135

67526C91

Spindle, RH/LH

- A - 15.250"
- B - 1.677"
- C - 1.780"
- D - 1.375"

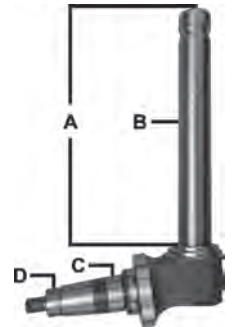


Fits 674 (With Straight Axle), 684 (With Straight Axle), 884 (With Straight Axle), CX50, CX60, CX70, CX80, CX90, CX100

67535C91

Spindle, RH/LH

- A - 12.125"
- B - 1.677"
- C - 1.780"
- D - 1.375"

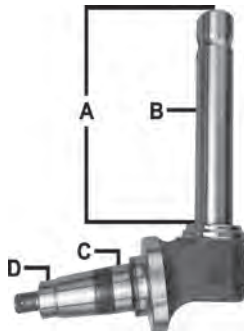


Fits 585, 595, 595XL, 695, 695XL, 895, 895XL, CX50, CX60, CX70, CX80, CX90, CX100

3121270R91

Spindle, RH/LH

- A - 12.687"
- B - 1.762"
- C - 1.796"
- D - 1.250"



Fits 584, 585, 595, 684, 685, 685XL, Hydro 84, 784, 785, 884, 885, 885XL, 895, 895XL, 995, 4210, 4230, 4240, CX70, CX80, CX90, CX100, MX90C, MX90C, MX100C, 278, McCormick 2002 and Newer C70, C80, C90, C100, CX70, CX75, CX80, CX85, CX90, CX100, CX105, MC80, MC90, MC95, MC100, MC105, MC115, MC120, MC135

D103156

King Pin Repair Kit

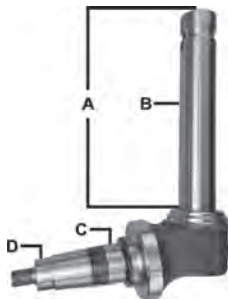


Fits 480C, 480D, 480E, 580C, 580D, 580E, 586E Forklift

3125872R91

Spindle, RH/LH

- A - 9.92"
- B - 1.762"
- C - 1.796"
- D - 1.250"



Fits 574 (S/N 100004>), 585, 595, 684, 685, 685XL, Hydro 84, 784, 785, 884, 885, 885XL, 895, 895XL, 995, 4210, 4230, 4240, CX70, CX80, CX90, CX100

D103626

King Pin Repair Kit



Fits 580LXT, 580K, 580SK, 580L, 580M, 580SL, 580SM, 585G, 586G, 588G, 590, 590L & 590SM

Case / IH

STEERING, TIE RODS

3040922R92

Drag Link End

A - 3.060"
B - .625"
19 R/H STD Thread

Fits B275, B414, 2300A, 354, 364



3040920R92

Short Tie Rod

A - 3.125"
B - .750"
16 R/H Thread

Fits B414, 354, 364, 384



359984R93

Tie Rod End, Long



384006R92

Tie Rod End, Short



383917R1

Tie Rod Tube



Fits 1026, 1066, 1086, 1206, 1256, 1456, 1466, 1486,
1568, 1586, 460, 544, 560, 656, 660, 666, 706, 756, 766,
806, 826, 856, 966, 986, 100, 186, 70 Hydro

1968463C1

Replaces 1868468C1
Tie Rod End



1968464C1

Tie Rod End



Fits 395, 495, 585, 595, 685, 695, 885, 895 with ZF MFWD
Axle

527658R91

Short Tie Rod

A - 3.062"
B - .687"
18 R/H thread

Fits 574, 674, 385, 454, 485



3125171R1

Replaces 1332805C1

Long Tie Rod

A - 14.125"
B - .812"

Fits 585, 595, 684, 685



3116406R3

Tie Rod End, Long



3116407R3

Tie Rod End, Short



3116408R1

Tie Rod Tube

A - 16.187"
.82" I.D.

Fits 385, 395, 484, 485, 495, 584, 585, 595, 684, 685, 695,
884, 885, 895



STEERING, MISC

Case / IH

60069D

Steering Wheel

Fits Cub, A, B, Super A



708424R91

Steering Wheel

Fits B275, B414



385156R1

Replaces 3123597R91

Steering Wheel

Fits 454 through 895

708601R1

Side Steering Bushing



708602R1

Side Steering Seal



708611R1

Includes 708612R1

Bearing and Race Assy



708613R1

Upper Steering Bushing



708609R1

Side Plate Gasket



708623R1

Shaft Gasket



708604R1

Steering Worm Shaft



708605R1

Steering Side Shaft

Fits B275, B414



372592R91-PIN

Steering Sector Pitman Shaft Pin
Weld in Place of Original

Fits 330, 340, 460 Utility Tractors



405584R2

Replaces 405584R1

Axle Bolt



Fits 238, 248, 258, 268, 288, 3210, 3220, 3230, 385, 395, 4210, 4220, 4230, 4240, 454, 474, 475, 484, 485, 485XL, 495, 495XL, 574, 584, 585, 585XL, 595, 595XL, 674, 685, 685XL, 695, 695XL, 785, 795, 885, 895

1432160R91

Steering Shaft

Fits 274



3109613R1

Replaces 842388R1

Front Axle Stay Ball Cap



3043920R1

Front Axle Stay Ball Socket

Fits 424, 444, 354, 364, 384



369008R5

Front Axle Pivot Bracket

Fits 240, 404, 424, 444



531248R2

Steering Arm, L/H

531249R2

Steering Arm, R/H

Fits 706 through 1586



67527C91

Front Wheel Hub

Fits 584, 585, 595, 674, 684, 685, 695, 784, 884, 885, 895, 995, Hydro 84



Case / IH

TRANSMISSION

CKIH01

Clutch Kit
Contains Clutch, Pressure Plate, Release Bearing, Pilot Bearing, and Alignment Tool



Fits Cub, Cub Lo-Boy

92602C92

Replaces 70716C1,
2726336C91, 529566R92,
69211C91
Pressure Plate
Laycock 11"



Fits 584, 684, 784, 884, 485, 585, 685, 785XL, 885,
495, 595, 3210, 3220, 3230, 2400, 2400A, 2400B, 2500,
2500A, 2500B, 3400A, 3500A, 4500, 4500A, 4500B, 3434,
3514, 380B

CKIH02

Clutch Kit
Contains Clutch, Pressure Plate, Release Bearing, Pilot Bearing, Does Not Come with Alignment Tool



Fits A, AV, B, C, Super A, Super C, 100, 130, 140, 200,
230, 240, 404

70093C91

Replaces 3121506R1,
3121506R91, 3121507R1,
3121507R91, 3129463R91,
3121463R94, 3121463R95,
401479R93



Clutch Disc
6 Pad Button Type

Fits 454, 464, 574, 674, 384, 484, 584, 684, 784, 884,
385, 485, 585, 685, 785XL, 885, 395, 495, 595, 695,
795XL, 895, 3210, 3220, 3230, 248, 258, 276, 278, 2400,
2400A, 2400B, 2500, 2500A, 2500B, 3400, 3400A, 3500,
3500A, 3514, 380B

47134440

Clutch Release Bearing



Fits Maxxum 100, Maxxum 110, Maxxum 115, Maxxum
125, MXU100, MXU115

751049R2

Clutch Fork
For Single Clutch



Fits 354, 364, 384

321288A1

Replaces 220797M91,
4220797M91
Clutch Master Cylinder



Fits Case/IH CX100, CX50, CX60, CX70, CX80, CX90
McCormick CX100, CX70, CX80, CX90

1971045C1

Release Bearing Carrier



Fits 385, 495, 595

1970934C1

Release Bearing Carrier



Fits 495, 595, 695, 895

TRANSMISSION

Case / IH

G16624
Replaces A144361
 Manual Shuttle Gear
 27 Teeth



Fits 430, 470, 530,
 570, 580CK, 480B, 580B

G16623
 Manual Shuttle
 Input Gear
 25 Teeth



Fits 430, 470, 530, 570, 580CK, 480B, 580B

G16799
 Manual Shuttle Input Shaft
 28 Teeth
 External Splines



Fits 430, 470, 530, 570, 580CK,
 480B, 580B

A151114
Replaces A51874,
G45049
 Synchronizer
 Manual Shuttle



Fits 430, 530, 470, 570, 580CK, 480B, 580B, 480C, 580C

A37617
 Manual Shuttle Input Shaft
 28 Teeth
 Internal Splines



Fits 430, 470, 530, 570, 580CK,
 480B, 580B

G46077
Replaces 71840R1
 Synchronizer Ring



Fits 300, 320, 400, 430, 500, 530, 600, 630, 470, 570, 480,
 480CK, 480B, 580, 580CK, 580B

G16626
 Manual Shuttle Input Shaft
 28 Teeth
 Internal Splines



Fits 430, 470, 530, 570, 580CK, 480B,
 580B

5186629
Replaces 5161828
 Forward and Reverse
 Synchronizer



Fits JX55, JX60, JX65, JX70, JX70U, JX80, JX80U,
 JX85, JX90, JX90U, JX95, JX1080U, JX1090U, JX1100U;
 Farmall 85U, 90, 95, 95U

Case / IH

PTO

704392R1
PTO Lever Bracket



704393R91
PTO Shifter Seal



3063246R11
Replaces 751115R92
PTO Shifter Internal Lever



3064230R91
Replaces 3119812R9
PTO Lever & Shaft
(will not work on tractors with remote hydraulics)



Fits B275, B414, 424, 444, 354, 364, 384, 3414, 2424, 2444

751113R2
PTO Shift Coupling



Fits B275, B414, 424, 444, 354, 364, 384, 3414, 2424, 2444

66184DA
PTO Shaft



Fits IH A-240

G10675
PTO Gear
14 Teeth



G10676
PTO Gear
46 Teeth



A37644
PTO Shaft
6 & 10 Splines



Fits 200, 430, 530, 470, 570, 580

704387R12
PTO Retainer & Seal Assy



45702D
PTO Seal



3073111R91
PTO Shaft Assy



48594DA ✖
PTO Shaft Bushing



704385R1 ✖
PTO Circlip



Fits B275, B414, 424, 444, 354, 364, 384, 3414, 2424, 2444

351287R11
PTO Shifter



Fits Cub, Cub Lo-Boy

REAR AXLE & BRAKES

Case / IH

3105296R91

Brake Actuator



Fits B414, 424, 444, 354, 364, 384, 3414, 2424, 2444

F0NN2140AD

Replaces 81866911,
81869963

Brake Master Cylinder



Fits Farmall 110A, 120A, 125A, 140A

395161R1

Brake Disc
6 1/2" Diameter



Fits B414, 424, 444, 354, 364, 384, 2424, 2444, 3414, 3444

249022A3

Replaces 249022A1,
249022A2, A142979,
A154350, A157157,
A55474

Brake Assembly



Fits 430, 530, 470, 570, 480, 580, 480B, 580B, 480C, 580C, 480D 2WD, 580D 2WD, 580D Non Turbo 4WD Will Not Work on the Turbo 4WD Models

1287734C92

Brake Master Cylinder



Fits 3220, 3230, 4210, 4230, 4240, 5120, 5130, 5140, 5220, 5230, 5240, 5250

3043997R12

Rear Axle
8 Lug, 6" Bolt Circle



Fits B275, B414, 354, 364, 384, 3414

1287843C92

Brake Master Cylinder



Fits 3220, 3230, 4210, 4230, 4240, C50, C60, C70, C80, C90, C100

3069966R91

Ring Gear & Pinion Set



Fits B414, 424, 444, 354, 364, 384, 3414, 2424, 2444

527542R92

Brake Master Cylinder



Fits 454, 464, 574, 674, 484, 584, 684, 784, 884, H84, 385, 485, 585, 685, 785, 885, 2400, 248, 258, 268, 278

3071402R11

Replaces 3064164R11,
3072916R11

Bull Pinion Cage, R/H



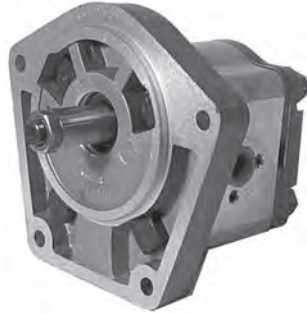
Fits B414, 424, 444, 354, 364, 384, 3414, 2424, 2444

Case / IH

HYDRAULIC, HYDRAULIC PUMPS

704330R95

Hydraulic Pump
For Manual Steering



Fits B275, B414, 424, 444,
354, 364, 384

3072695R91

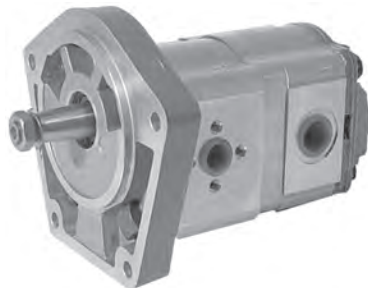
Hydraulic Pump
For Tractors with
Power Steering



Fits 424, 444

3063911R92

Hydraulic Pump
For Tractors with
Power Steering



Fits B414, 424, 444, 354, 364, 384, 3414, 2424, 2444

93835C92

Hydraulic Pump



Fits 454 through 995



70932C91

Hydraulic Pump
15 GPM Main Hitch Pump

Note: Pump pressure is rated at 2250 PSI, exceeding pressure may damage pump and void the warranty

Fits 786, 886, 1086, 1566, 1568, 1586, 3088, 3288, 3688

70933C91

Hydraulic Pump
12 GPM Main Hitch Pump

Note: Pump pressure is rated at 2250 PSI, exceeding pressure may damage pump and void the warranty

Fits 330, 340, 504, 460, 560, 606, 660, 544, 656, 756,
766, 806, 826, 856, 1026, 1066, 1206, 1468, 1566, 1568,
21026, 21256, 21456, 2504, 2606, 2544, 2656, 2706,
2756, 2826, 2856, 1456D, 1466, 100 Hydro

70935C91

Hydraulic Pump
17 GPM Main Hitch Pump

Note: Pump pressure is rated at 2250 PSI, exceeding pressure may damage pump and void the warranty

Fits 330, 340, 460, 504, 544, 560, 606, 656, 660, 664,
666, 686, 706, 756, 806, 826, 856, 1026, 1456, 21026,
21456, 2706, 2756, 2826, 2856, 3488, 3498,
186, 70, 86, all Hydro



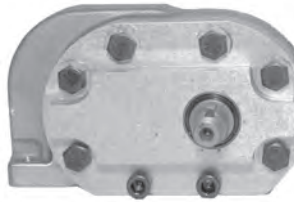
HYDRAULIC, HYDRAULIC PUMPS & CONTROL VALVE PARTS

Case / IH

527397R93 **X**

MCV Hydraulic Pump
9 GPM

Note: Pump pressure is rated at 2250 PSI, exceeding pressure may damage pump and void the warranty



Fits 706, 806, 1026, 1206, 756, 856, 1246, 1456, 766, 966, 1066, 1466, 1566

120114C91

MCV Hydraulic Pump
12 GPM

Note: Pump pressure is rated at 2250 PSI, exceeding pressure may damage pump and void the warranty

Fits 786, 886, 986, 1086, 1486, 1568, 1586, 3088, 3688

D53690

Hydraulic Pump



Fits 530, 580, 580B, 580C, 480, 480B, 480C

350709R1

Hydraulic Pump Gear
For Gas Engines
16 Teeth



Fits Super A, C, Super C, 100, 130, 140, 200, 230, 240, 330, 340, 404, 424, 444, 2404, 2424, 2444

3044376R92

Hydraulic Piston
O-Ring Style



381871R1

Hydraulic Piston O-Ring



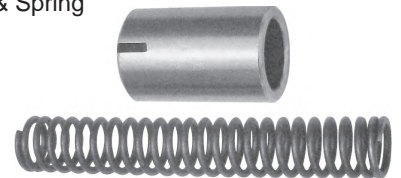
3047294R95

Orifice Filter Assy



3045105R1

Speed Control Piston & Spring



3049088R91

Spool and Valve



3044368R93

Replaces 704342R91
Hydraulic Filter



Fits B275, B414, 424, 444, 354, 364, 384, 3414, 2424, 2444, 238

Case / IH

HYDRAULIC, HITCH

527948R91

Leveling Yoke, L/H
19.380" Long



Fits 454, 464, 484, 495, 574, 584, 585, 595

527967R91

Leveling Yoke, L/H
14.380" Long



Fits 454, 464, 484, 495, 574, 584, 585, 595

527937R1

Leveling Yoke Nut



Fits 385-885, 395-895, 454-484, 584-884

3121964R91

Leveling Fork
1" Spread



Fits 454, 464, 484, 495, 574, 584

402635R4

Leveling Fork
1 5/8" Spread



Fits 454, 464, 484, 495, 574

223320

Leveling Assy, CAT I
With 3121964R91 Fork



Fits 454, 464, 484, 574, 584, 595, 674, 684, 784, 884, 895, 995

223321

Leveling Assy, CAT II
With 402635R4 Fork



Fits 454, 464, 484, 574, 584, 595, 674, 684, 784, 884, 895, 995

223322

Leveling Assy, CAT II
With 402635R4 Fork
For Row Crop Tractors with Bar Axles



Fits 584, 674, 784, 884, 585, 595, 685, 885, 895, 995

223323

Leveling Assy, CAT II
With 402635R4 Fork
For Tractors with Telescopic Arms & Flanged Axles



Fits 395, 495, 784, 884, 584, 585, 595, 685, 695, 895, 995



HYDRAULIC, HITCH

Case / IH

751506R2

Top Link Spring, Small



751505R1

Top Link Spring, Large



751509R4

Top Link Shaft



Fits B275, B414, 424, 444, 354, 364, 384, 3414, 2424, 2444

3044341R91

Lower Lift Arm, R/H or L/H
28" Center to Center



Fits B275, B414, 424, 444, 354, 364, 384, 3414, 2424, 2444

DRAWBARKIT03 ~~X~~

Drawbar and Bracket Assy



Fits B275, B414, 424, 444, 354, 364, 384, 3414, 2424, 2444

3069056R91

Leveling Assy, R/H



704207R3

Leveling Assy, L/H



Fits B275, B414, 424, 444, 354, 364, 384, 3414, 2424, 2444

108632C93

Center Link, Cat II



Fits 1026, 2756, 2826, 2856, 3088, 3288, 3488, 3688, 756, 766, 786, 826, 856, 886, 966, 986, 100, 1086

Case / IH

SHEET METAL, SEATS

45640DB

Headlight (6 Volt)

Fits A, B, C, Cub, Cub Lo-Boy, H, M, MD, OS4, OS6, O4, O6, WD6, WD9, W4, W6, W9, 100, 130, 140, 200, 230, 240, 300, 330, 340, 350, 400, 450, 600, 650, Super A, Super C, Super H, Super M, Super W4, Super W6



136165A1

Fender, R/H

538641R4

Fender, L/H



Fits 585, 684, 784, 884, 585, 685, 885, 985, 595, 695, 895

357884R94

Headlight (6 Volt)

Fits Cub (Up to S/N 210000), Super A (Late 1951 & Up), Super C (Late 1951 & Up), Super H, Super M, Super MTA, Super W4, Super W6 (S/N 3951 & Up), Super W6TA, Super W9, WR9S, 100, 130, 200, 230, 300, 330, 350 (Gas; Up To S/N 13242), 400, 450 (GAS; Up to S/N 11083); Cub Lo-Boy (Up to S/N 10000); Wheatland 400 (Gas), 450 (Gas, Up to S/N 1350)



1970623C2

Replaces 1343062C2

Grille with Screens



Fits 385, 485, 585, 685, 885

399328R2 ~~X~~

Fender, L/H
Two Headlight Style

399329R2

Fender, R/H
Two Headlight Style



Fits 544, 656, 706, 756, 806, 826, 856, 1026, 1206, 1256, 1456

533187R1

Fender, L/H
One Headlight Style



533188R1

Fender, R/H
One Headlight Style

Fits 666, 686, 766, 966, 1066, 1466, 1468, 1566, 1568, 100, 70, 86 Hydro

401933R1

Battery Cover
20 3/8" Long

Fits 454, 464, 574, 674, 2400, 2500



3121393R91

Battery Cover
18 1/8" Long

Fits 484, 584, 684, 784, 884, 385, 395

537496R1

Grille with Screen

Fits 354, 364, 454, 464, 574, 674



357518R92-17

Seat Pan, Steel, Red and White
FOR 4 BOLT PATTERN ONLY

Fits A, AV, B, C, Cub, Cub Lo-Boy, H, HV, M, MD, MDV, MTD, MV, Super H, Super M WDR9, WD9, 100, 140, 200, 230, 240, 300, 340, 350, 460, 600, 650





WHEELS & RIMS

Case / IH

WHEEL01

Replaces **361714R91, 704675R92, 380065R91, A36738, A185090, G10660**
 Front Wheel, 4.5" x 16"
 For a 6.00" x 16" Tire



Fits 240, 340, 404, 504, 544, 606, B275, B414, 424, 444, 354, 364, 384, 454, 464, 574, 674, 484, 584, 684, 395, 495, 595, 695, DB 770, 880, 990, 995, Case 210, 310, 440, 430, 470, 530, 570

WHEEL02

Replaces **364343R92, 380339R1, K947941, G57046, A57333**
 Front Wheel, 5.5" x 16"
 For a 7.50" x 16" Tire



Fits 240, 340, 404, 504, 544, 606, B275, B414, 424, 444, 354, 364, 384, 454, 464, 574, 674, 484, 584, 684, 884, 395, 495, 595, 695, 895, 656, 706, 806, 686, 756, 856, 1056, 766, 966, 1066, 786, 886, 986, 1086, 4210, 4230, 4240, 4200, C50, C60, C80, C100, DB 770, 880, 885, 990, 995, 1200, 1210, 1290, 1390, 1490, 1394, 1494, 1594, 1690, Case 210, 310, 440, 430, 470, 530, 570, 630, 730, 830, 930, 770, 870, 970, 1070

WEIGHT01

Front Wheel Weight
 40 Lbs



Fits most 16" Front Rims



WHEEL03

Replaces **703928R91, 361700R91, G12202**
 Rear Rim, 10" x 28"
 6 Loop

WHEEL04

Replaces **1265034C1, K301002, 67980**
 Rear Rim, 11" x 28"
 6 Loop

WHEEL05

Replaces **363988R92, G45710**
 Rear Rim, 12" x 28"
 6 Loop

WHEEL19

Replaces **1861894M91, 373508R91, AL2452, AL36059, AL36059, AL63463**
 Rear Rim, 13" x 28"
 6 Loop

Fits 240, 340, 404, 504, 544, 606, B275, B414, 424, 444, 354, 364, 384, 454, 464, 574, 674, 484, 584, 684, 884, 395, 495, 595, 695, 895, DB770, 880, 885, 990, 995, 1200, 1210, 1290, 1390, 1490, 1394, 1494, 1594, 1690;
 Case 210, 310, 440, 430, 470, 530, 570

Case / IH

WHEELS & RIMS

WHEEL29

Replaces 361724R1,
129374A1, 1333149C1,
G12001

Wheel Center
For 28" Rim
Will also work on 30"
Rims with Drop Center



Fits 240, 340, 404, 504, 606, 544, 656, 424, 444, 384,
454, 574, 674, 484, 584, 684, 784, 884, 385, 485, 585,
685, 785, 885, 395, 495, 595, 695, 895, 4210, 4230, 4240,
4200, C50, C60, C80, C100, Case 210, 310, 440, 430, 470,
530, 570

BOLTKIT01

Bolt & Nut, Fiat Style
2 1/2" Long



BOLTKIT02

Bolt & Nut, MF Style
3" Long



BOLTKIT03

Bolt & Nut, Ford Style
3" Long



BOLTKIT04

Bolt & Nut, JD Style
4 3/4" Long



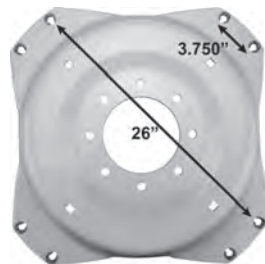
WHEEL33

Rear Rim, 15" x 30"
For Square Type
Wheel Center



WHEEL35

Rear Wheel Center, 30"
For Square Type Rim



Fits 484, 584, 684, 784, 884, 385, 485, 585, 685, 785, 885,
395, 495, 595, 695, 895, 4210, 4230, 4240, 4200, C50,
C60, C80, C100, Case 210, 310, 440, 430, 470, 530, 570



SHOP MANUALS

Case / IH



ITC36

I&T C-36 Case / International Shop Manual

Fits Diesel Models: 1190, 1194, 1290, 1294, 1390, 1394, 1490, 1494, 1594, 1690



ITC39

I&T C-39 Case / International Shop Manual

Fits 385, 485, 585, 685, 885



ITC39

I&T C-39 Case / International Shop Manual

Fits 385, 485, 585, 685, 885



ITC40 ~~X~~

I&T C-40 Case / International Shop Manual

Fits Diesel Models: Magnum 7110, Magnum 7120, Magnum 7130, Magnum 7140



ITC41 ~~X~~

I&T C-41 Case / International Shop Manual

Fits Maxxum Models 5120, 5130, 5140



SMC42

I&T C-42 Case / International Shop Manual

Fits 235, 245, 255, 265, 275



ITC201

I&T C-201 Case / International Shop Manual

Fits C, D, L, LA, R, S, V, VA; Series 200B, 300*, 300B*, 350, 400B, 500B, 600B; Series 400*, 700B*, 800B* *Gas and Diesel



ITC202

I&T C-202 JI Case Shop Manual

Fits Gasoline and Diesel Models: 430, 431, 440, 441, 470, 500, 530, 530C, 531, 531C, 540, 540C, 541, 541C, 570, 600, 630, 630C, 631, 631C, 632, 632C, 640, 640C, 641, 641C, 730, 830, 900B, 930, 1030



ITC203

I&T C-203 JI Case & David Brown Shop Manual

Fits David Brown Diesel Models: 770 (J.I. Case and David Brown), 780, 870, 880 (After S/N 52100), 885, 970, 980, 990 (After S/N 467870), 995, 3800, 4600; Gas Models: 770 (J.I. Case); Case-IH: 1070, 1090, 1170, 1175, 1200, 1210, 1212, 1270, 1370, 1410, 1412, 1570





Case / IH

SHOP MANUALS



ITI8

I&T IH-8 International Harvester Shop Manual

Fits 235, 245, 255, 265, 275



ITI10

I&T IH-10 International Harvester Shop Manual

Fits Diesel Models: 350, 350HC, 350 Utility, 400, 400HC, W400, 450, 450HC, W450; Gas Models: 300, 300HC, 300 Utility, 350, 350HC, 350 Utility, 400, 400HC, W400, 450, 450HC, W450



ITI25

I&T IH-25 International Harvester Shop Manual

Fits Gas Models: 460, 560, 606, 660, 2606; Diesel Models: 460, 560, 606, 660, 2606



ITI25

I&T IH-25 International Harvester Shop Manual

Fits Gas Models: 460, 560, 606, 660, 2606; Diesel Models: 460, 560, 606, 660, 2606



ITI32

I&T IH-32 International Harvester Shop Manual

Fits 706, 756, 806, 856, 1206, 1256, 1456, 2706, 2756, 2806, 2856, 21206, 21256, 21456



ITI50

I&T IH-50 International Harvester Shop Manual

Fits INT'L Cub 154 Lo-Boy, INT'L Cub 184 Lo-Boy, INT'L Cub 185 Lo-Boy, Farmall Cub, INT'L Cub, INT'L Cub Lo-Boy



ITI54

I&T IH-54 International Harvester Shop Manual

Fits 3088, 3288, 3488 Hydro, 3688



ITI55

I&T IH-55 International Harvester Shop Manual

Fits 234, 234 Hydro, 244, 254



ITI56

I&T IH-56 International Harvester Shop Manual

Fits Diesel Models: 5088, 5288, 5488



ITI201

I&T IH-201 International Harvester Shop Manual

Fits Gas Models: 100, 130, 140, 200, 230, 240, 284, 330, 340, 354, 404, 424, 444, 2404, 2424, 2444, 2504, B-414, F504, IH504; Diesel Models: 274, 284, 340, 354, 364, 384, 424, 444, 2424, 2444, 2504, B-275, B-414, F504, IH504



ITI202

I&T IH-202 International Harvester Shop Manual

Fits Gas Models: 544, 656, 666, 686, Hydro 70, Hydro 86; Diesel Models: 544, 656, 666, 684, 686, 784, 884, 1466, 1468, 1486, 1566, 1568, 1586, Hydro 70, Hydro 84, Hydro 86, Hydro 100, Hydro 186



ITI203

I&T IH-203 International Harvester Shop Manual

Fits Gas Models: 454, 464, 574, 674, 766, 826; Diesel Models: 454, 464, 484, 574, 584, 674, 766, 786, 826, 886, 966, 986, 1026, 1066, 1086

